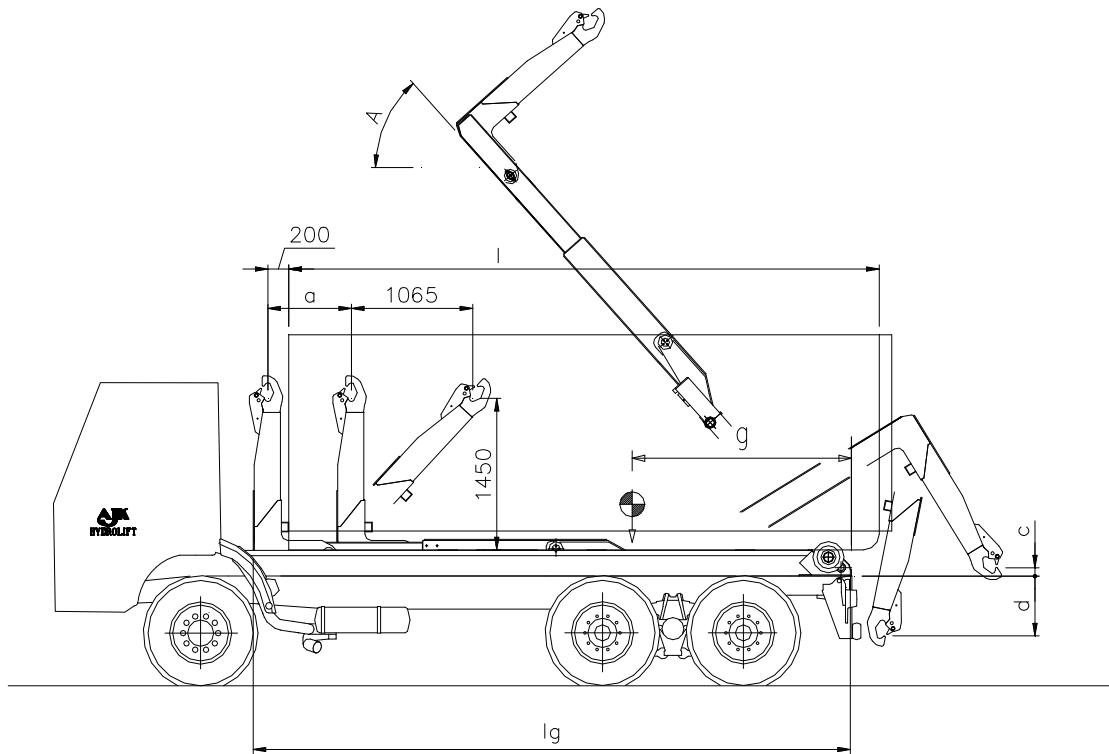




01-06-2007

# NHSK-16



Length lg	Stroke a	Bin length l
5430	750	3100-5500-(6000)*
5730	750	3350-5800-(6300)*
5910	800	3450-6000-(6500)*
6035	850	3550-6100-(6600)*
6205	850	3750-6300-(6800)*
6430	1025	3750-6500-(7000)*

The constructor has the right to make modifications without prior notice.