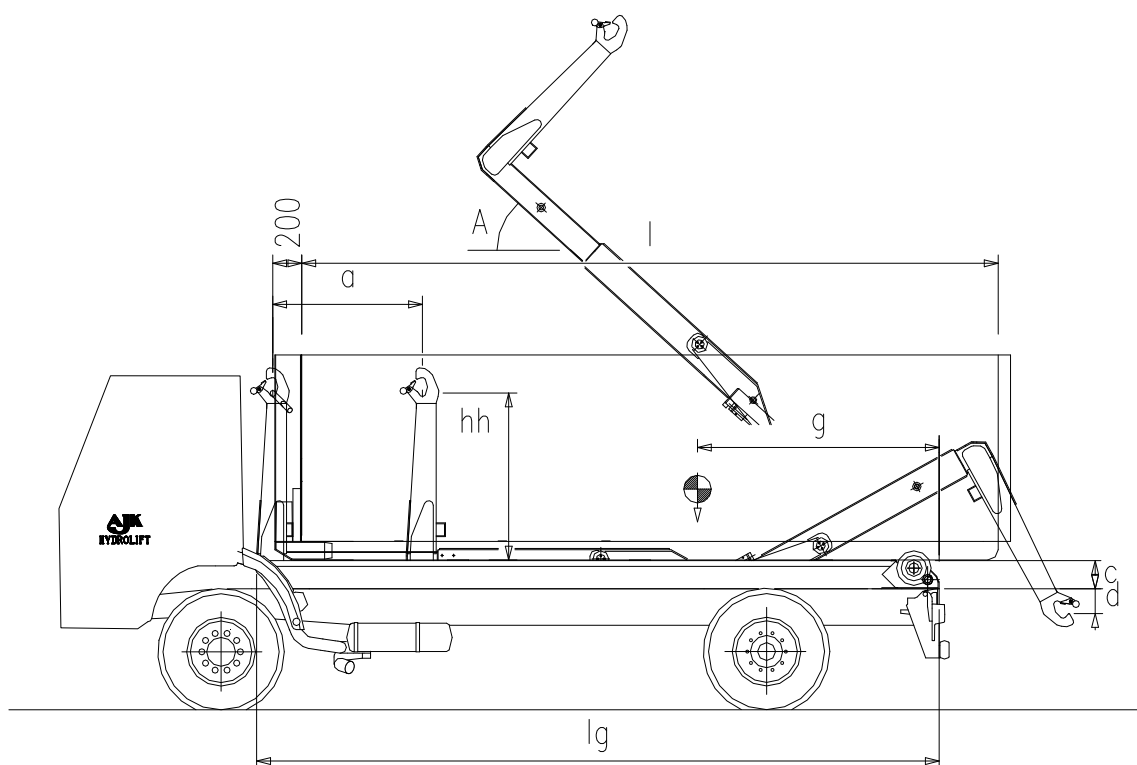




01-06-2007

NHS-8/10



Length	Stroke	Bin length
lg	a	l
4000	850	3000-4000-(4500)*
4400	850	3500-4500-(5000)*

The constructor has the right to make modifications without prior notice